



INLINE FLOWMETER SUB (IFS)

IFS43C-A is a 13pin Pegasus compatible inline flowmeter tool including electronics section. The compact flowmeter is combinable with other PL or well integrity tools for production or injection profiles. The IFS inline flowmeter can monitor flowrates when fullbore spinners are closed due to restrictions such as inside tubing. The IFS is shrouded against inflow jetting when opposite perforation zones where high velocity fluid jets might otherwise damage the spinner blades. An optimized flow profile can be obtained when combining IFS with FBM spinners.



APPLICATIONS & FEATURES

- Ceramic ultra-low friction roller bearings
- Zero drag Hall-effect sensors giving 10 pulses per revolution
- Directional indicator
- Field interchangeable spinner blades
- Sour Service / NACE MR075 compliant

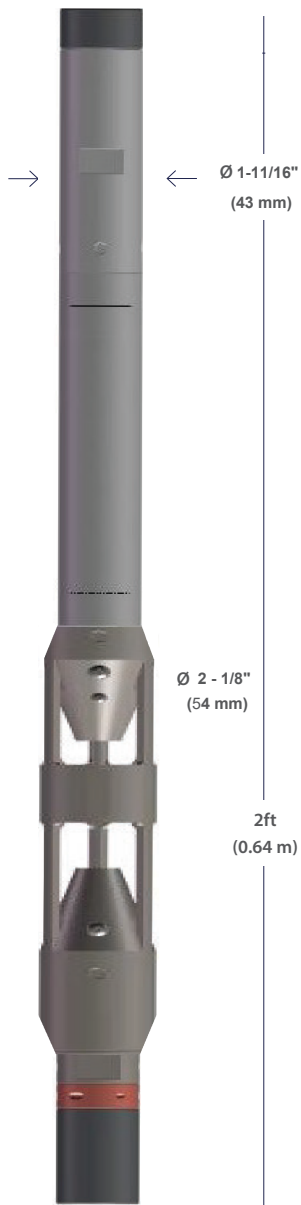
SPECIFICATIONS

	IFS43J-A
	P/N 300001503
GENERAL SPECS	
Working Temperature	-20°C~175°C (-4°F~347°F)
Working Pressure	100MPa (14,500 psi)
Working Voltage	18-36 VDC
Working Current	26mA±5mA (18VDC)
Material	Inconel 718
Tool Outer Diameter	43mm (1.69")
Shipping Length	722.5mm (28.44")
Make-up Length	639.5mm (25.18")
Tool Weight	4.5Kg (9.92Lbs)
Measuring Point	186mm (7.32") (from bottom)
Resolution	10 pulse/revolution



INLINE FLOWMETER SUB (IFS)

IFS54J-A is a 13 pin Pegasus compatible inline flowmeter tool including electronics section. The compact flowmeter is combinable with other PL or well integrity tools for production and injection profiles. The IFS inline flowmeter can monitor flowrates when fullbore spinners are closed due to restrictions such as inside tubing. The IFS is shrouded against inflow jetting when opposite perforation zones where high velocity fluid jets might otherwise damage the spinner blades. An optimized flow profile can be obtained when combining IFS with FBM spinners.



APPLICATIONS & FEATURES

- Ceramic ultra-low friction roller bearings
- Zero drag Hall-effect sensors giving 10 pulses per revolution
- Directional indicator
- Field interchangeable spinner blades
- Sour Service / NACE MR075 compliant

SPECIFICATIONS

	IFS54J-A
	P/N 300001503
GENERAL SPECS	
Working Temperature	-20°C~175°C (-4°F~347°F)
Working Pressure	103MPa (15,000 psi)
Working Voltage	18-36 VDC
Working Current	26mA±5mA (18VDC)
Material	Inconel 718
Tool Outer Diameter	54mm (2.125")
Shipping Length	722.5mm (28.44")
Make-up Length	639.5mm (25.18")
Tool Weight	4.5Kg (9.92Lbs)
Measuring Point	186mm (7.32") (from bottom)
Resolution	10 pulse/revolution